

AC INFINITY

# CO<sub>2</sub> REGULATOR

## ENVIRONMENTAL CONTROL

USER MANUAL



## WELCOME

Thank you for choosing AC Infinity. We are committed to product quality and friendly customer service. If you have any questions or suggestions, please don't hesitate to [contact](#) us. Visit [www.acinfinity.com](http://www.acinfinity.com) and click contact for our contact information.

### EMAIL

[support@acinfinity.com](mailto:support@acinfinity.com)

### WEB

[www.acinfinity.com](http://www.acinfinity.com)

### LOCATION

Los Angeles, CA

## MANUAL CODE CRA2210X1

**PRODUCT**  
CO<sub>2</sub> Regulator

**MODEL**  
AC-CRA5

**UPC-A**  
819137023345

# MANUAL INDEX

Manual Index .....	Page 5
Product Warning .....	Page 6
Key Features .....	Page 8
Product Contents .....	Page 9
Installation .....	Page 10
Using the Regulator .....	Page 13
Other AC Infinity Products .....	Page 14
Warranty .....	Page 15

# PRODUCT WARNING



TO REDUCE THE RISK OF FIRE, ELECTRIC SHOCK, OR INJURY TO PERSONS, OBSERVE THE FOLLOWING:

1. Ensure your power source conforms to the electrical requirements of this product.
2. Check your local code restrictions for additional safety measures that may be needed for a proper code compliant installation.
3. Read all instructions before installing and using this product.
4. If you are unfamiliar or have doubts about performing this product's installation, seek the services of a qualified, trained, and licensed professional. Inappropriate installation will void this product's warranty.
5. Do not attempt to hardwire this product. Performing any retrofitting actions may result in personal injury and/or electrical damage, and will void this product's warranty.
6. This product must not be used near dry ice or in potentially hazardous locations such as flammable, explosive, chemical-laden, or wet atmospheres.
7. Follow local regulations concerning transportation, storage, use, and disposal of compressed gas and canisters.
8. Do not cover power cords with rugs or other fabric materials.
9. Do not operate this product while its cord is damaged, or if it malfunctions, has been dropped, or is damaged in any manner.
10. To ensure safe carbon dioxide levels, use in combination with a CO<sub>2</sub> monitor or cycle timer.

# PRODUCT WARNING



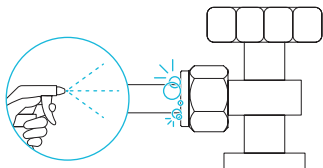
## MAXIMUM CO<sub>2</sub> LEVEL

Atmospheric CO<sub>2</sub> levels above 5000 ppm (parts per million) is hazardous to your health. If the gas concentration exceeds safe levels, properly ventilate and leave your space until its ppm levels decrease.



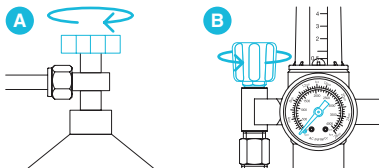
## POTENTIAL LEAKAGE

Use caution when adjusting nuts and valves. Check for potential leakage after connecting to CO<sub>2</sub> canisters. Unplug the regulator and apply soapsuds onto the CO<sub>2</sub> nut. Look out for any hissing noises or bubbling for signs of leakage.



## SAFE REMOVAL

Close the canister valve and open the regulator to release any remaining gas **before** disconnecting it from your CO<sub>2</sub> canister. You may disconnect the regulator from your CO<sub>2</sub> canister once the pressure gauge reads zero.



# KEY FEATURES

## CO<sub>2</sub> METER

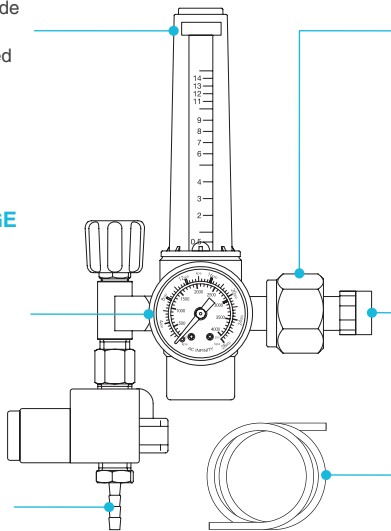
Precision carbon dioxide meter measures the amount of gas released into your grow setting.

## PRESSURE GAUGE

High accuracy gauge displays the current remaining CO<sub>2</sub> gas levels in your canister.

## PROPER FLOW

Solenoid valve pipe crafted for steady and effective CO<sub>2</sub> delivery without leakage.



## HEAVY-DUTY

Durable brass build ensures long-lasting performance and reliability in many grow settings and applications.

## FIRM FIT

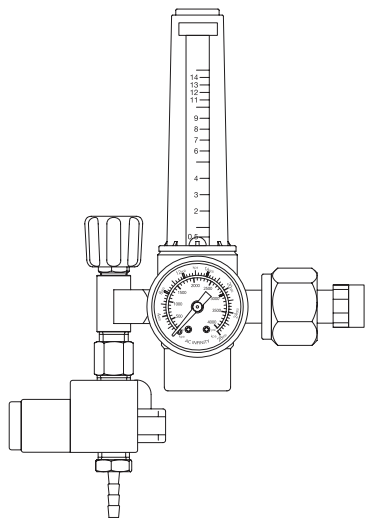
CGA-320 threaded inlet connects to CO<sub>2</sub> canisters and creates an airtight seal using the interior washer.

## VERSATILE DELIVERY

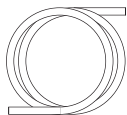
Included plastic tube hosing provides efficient gas flow for convenient coverage over a flexible range.



# PRODUCT CONTENTS



CO<sub>2</sub>  
REGULATOR  
(x1)



GAS  
TUBE  
(x1)

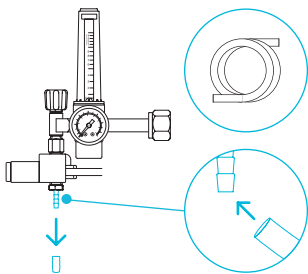


EXTRA INLET  
WASHER  
(x1)

# INSTALLATION

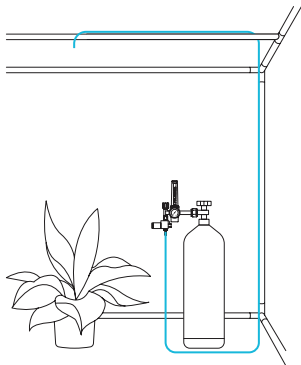
## STEP 1

Remove the solenoid valve cover and insert the gas tube over the solenoid valve.



## STEP 2

Place the end of the tube above your plants so that the CO<sub>2</sub> gas flows downward.

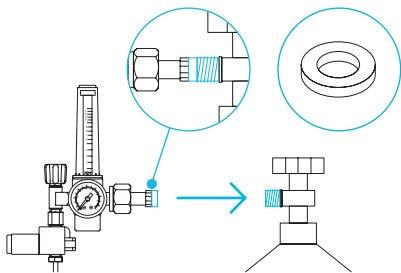


# INSTALLATION

## STEP 3

Align your regulator's inlet washer to your CO<sub>2</sub> canister's nozzle.

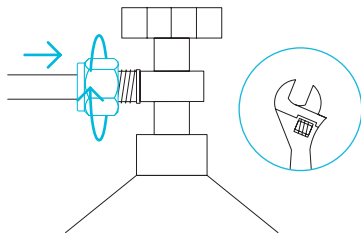
You can replace the washer once it's worn down by pulling it off from the inlet and pushing the included replacement back on.



## STEP 4

Screw the CO<sub>2</sub> nut onto your CO<sub>2</sub> canister's nozzle using a wrench.

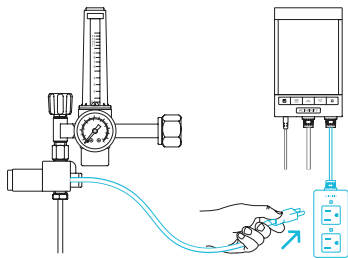
Make sure to tighten the nut completely to ensure a proper seal.



# INSTALLATION

## STEP 5

Plug your regulator into a CO<sub>2</sub> monitoring device or cycle timer.

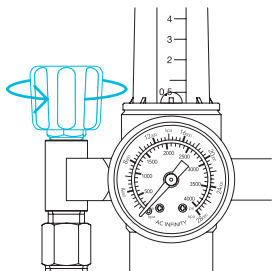


Shown: CO<sub>2</sub> Controller (AC-CTC7)

# USING THE REGULATOR

## STEP 1

Slightly loosen the adjustment knob before releasing CO<sub>2</sub> gas.

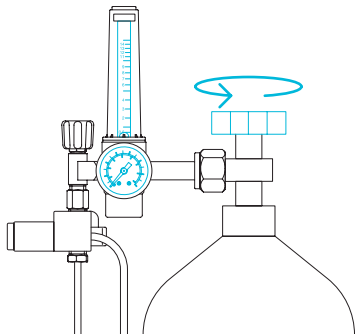


---

## STEP 2

Slowly release CO<sub>2</sub> gas from your canister. Twist the adjustment knob to adjust gas flow from your regulator.

You can inspect the amount of gas flowing through using the CO<sub>2</sub> meter.

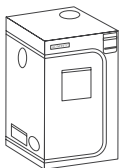


# AC INFINITY PRODUCTS

## Advance Grow Tents

The CLOUDLAB series is a line of grow tents designed to create ideal growing conditions and facilitate indoor plant cultivation year-round. Features 2000D thick oxford canvas lined with inner diamond patterned mylar that maximizes grow light luminosity, and a reinforced frame with 150 lb. weight capacity. Includes a mounting plate to install your AC Infinity controller onto.

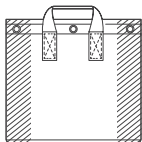
---



## Fabric Pots

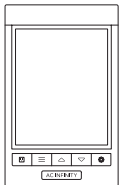
A set of gardening grow bags designed to create wider root networks and improve plant growth by air pruning roots while draining excess water. Features industry leading 500G thick nonwoven fabric sewn with metal rings to enable air-suspended hanging or twist tie passthrough for low stress plant training.

---



## CO<sub>2</sub> CONTROLLER

A smart controller with a next-gen precision sensor designed to monitor and regulate outlet devices and help optimize carbon dioxide levels. Features intelligent programming including trigger modes, schedules, cycles, and tracking on an easy-to-read LED display to power and activate appliances such as fans and CO<sub>2</sub> generators.



Discover the latest innovations in environmental controls at [acinfinity.com](http://acinfinity.com)

# WARRANTY

This warranty program is our commitment to you, the product sold by AC Infinity will be free from defects in manufacturing for a period of two years from the date of purchase. If a product is found to have a defect in material or workmanship, we will take the appropriate actions defined in this warranty to resolve any issues.

The warranty program applies to any order, purchase, receipt, or use of any products sold by AC Infinity or our authorized dealerships. The program covers products that have become defective, malfunctioned, or expressively if the product becomes unusable. The warranty program goes into effect on the date of purchase. The program will expire two years from the date of purchase. If your product becomes defective during that period, AC Infinity will replace your product with a new one or issue you a full refund.

The warranty program does not cover abuse or misuse. This includes physical damage, submersion of the product in water, incorrect installation such as wrong voltage input, and misuse for any reason other than intended purposes. AC Infinity is not responsible for consequential loss or incidental damages of any nature caused by the product. We will not warrant damage from normal wear such as scratches and dings.

Contact our dealers department at [dealers@acinfinity.com](mailto:dealers@acinfinity.com) or (626) 838-4656 for more information about our dealers and distributors program. Contact our customer service department at [support@acinfinity.com](mailto:support@acinfinity.com) or 626-923-6399 for product and warranty assistance. Our business hours are Monday through Friday, 9:00 am to 5:00 pm PST.



**If you have any issues with this product, contact us and we'll happily resolve your problem or issue a full refund!**

**COPYRIGHT © 2023 AC INFINITY INC. ALL RIGHTS RESERVED**

No part of the materials including graphics or logos available in this booklet may be copied, photocopied, reproduced, translated or reduced to any electronic medium or machine readable form, in whole or in part, without specific permission from AC Infinity Inc.









[www.acinfinity.com](http://www.acinfinity.com)